

Description:

- Proprietary nano-multilayer technology produces a metallic luster without using metal
- Clear laminate provides additional protection and life span
- Designed to provide a level of concealment to rooftop infrastructure

Product Features:

- Metallic luster
- Designed to apply to flat and mildly-curved surfaces
- Long life span
- Minimal maintenance needed

Recommendation Types of Structures:

Concealment for all rooftop or building mounted equipment and material

- Penthouse and other structures
- Service walkways
- HVAC Units
- Rooftop Exhaust Ventilation Fans
- Cooling Towers
- Ducts and Pipework
- Back up power
- Communication including LTE, 5G, Satellite and Wi-Fi
 - >0.2 dB of loss

Application:

- This film is designed for all types of concealment. To know if the surface will accept the film, use an adhesive test kit.
- Improper installations can reduce life span. Using a certified or trained installer can ensure longevity. Please request installation procedures from Obscure Technologies help desk at info@obscuretechllc.com.
- Surface preparation is key to ensure the ultimate life span.
- This film is specifically designed for one use, to conceal rooftop infrastructure. We recommend using standard graphic films for other conditions.
- Since this film is not as flexible as standard graphic film, proper installation procedures provided by Obscure Technologies must be followed.
- This product cannot be stretched by design.

Technical Data:

Material	Polymer
Thickness	7.5-mil
Available width	42 inches (1.06m)
Available length	100 feet per box (30.48m)
Minimum application temperature	>+45 degrees (>+7.22C)
Temperate Range after installation	-76F to 155F (-60C to 68C)
RoHS	Complies with the limits set by RoHS Directive
Flammability	Please contact our help desk at info@obscuretechllc.com for more information

More info contact:

info@obscuretechllc.com

www.obscuretechllc.com

Maintenance & Cleaning:

This film doesn't require maintenance, normal cleaning can be performed on the surface.

ONLY USE THE FOLLOIWNNG:

- Water or soapy water to clean the surface
- Paper towels or a terrycloth to wipe the surface down

DO NOT USE:

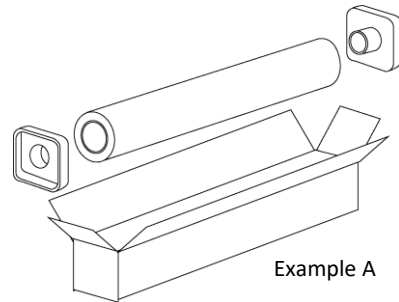
- Harsh cleaner
- Heavy duty scrub sponges
- Scouring pads
- Scrub brush

Removal:

While this product can be removed from any substrate surface, it may require heat and other chemicals to assist in the process.

Storage:

- Shelf Life
 - 2 years from the shipment date
 - If removed from original box, 1 year
- Storage Conditions
 - Controlled environment needed, 40 degrees and above
 - Before use, bring film to room temperature
 - Keep in original shipping container (EXAMPLE A)
- Shipping
 - Always lay the shipping container flat
 - Do not stand container on the sides



Warranty:

This product will be free of defect or damages upon initial arrival and up to 2 years per the shipment date. Obscure Technologies will replace the product pending review. The damaged product must be returned in full. All warranties will require photos and documentation of the damaged product before accepting the product back. Installation in desert zone areas (example: Southeastern California, Arizona and New Mexico) are subject to a reduced warranty. Obscure Technologies holds the right to replace or refund. For additional warranty information please reach out to info@obscuretechllc.com.

Notice:

All information on this document regarding this product is based on the data reliability. The accuracy of the data is not guaranteed. Evaluation of this product should be taken into consideration before use. User will assume all risks with the use of and assume all reliabilities.

More info contact:

info@obscuretechllc.com

www.obscuretechllc.com